



LSP-4FT-40W-40K

LED SHOP LIGHT WITH ADJUSTABLE SUSPENSION CABLE

Ideal for suspended installations in a variety of industrial, commercial and residential applications. Features a convenient on/off pull chain. Includes aircraft suspension cable and hardware for installation.

ELECTRICAL SPECIFICATIONS:

- Voltage: 120VAC
- Wattage: 40W
- Power factor: >0.9
- Efficacy: 110LM/W

HOUSING SPECIFICATIONS:

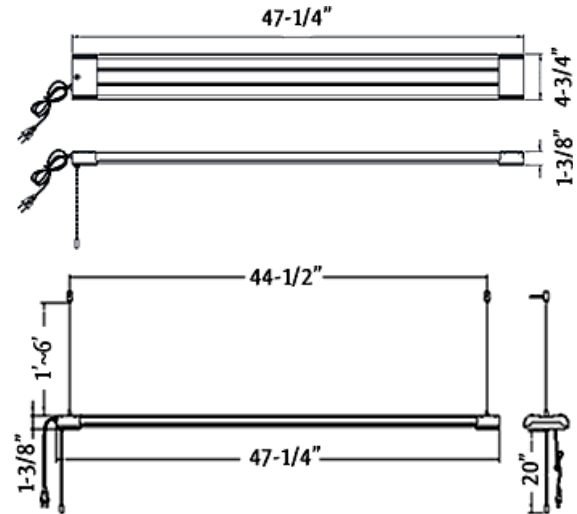
- 4 feet long
- 18" pull chain
- 5FT. Cord with plug
- Powder coated aluminum, PC ends
- 6FT. Adjustable suspension cable set included
- Operating temperature: -22°F~104°F
- Lifespan: 50000 Hrs.
- IP rating: IP44

CERTIFICATIONS: ETL



DIMENSIONS:

4-3/4" (W) x 47-1/4" (L) x 1-3/8" (H)



MODEL	WATTS	VOLTAGE	LUMENS	COLOR TEMP
LSP-4FT-40W-40K	40W	120VAC	4400LM	4000K

LIGHTING SPECIFICATIONS:

- Total lumens: 5500LM
- Color temperature: 4000K
- Color rendering index: >82

WARRANTY: 5 years

INSTALLATION:

1. Turn off the power
2. Drill the two holes using the appropriately sized drill bit. Insert the provided anchors (10) into the holes.
3. Locate the Lock cover(9) over the holes, Then secure the anchor screws (8) to the anchors (10)
4. Secure the Lift-line lock to the Lock cover(9) by tighten the Lift-line lock.
5. Put the Lift-line header(4) through the Driver backhouse(3) and slide the the lift-line header to left or right.
6. Plug the power cord (6) into the power supply, then Pull chain down to turn on.

